

COSM Series

Mini ChangeOver System

Continuous Gas Management



Value Proposition:

The Mini ChangeOver System (COSM) from Parker is a compact, turnkey module that assists operators with their total gas management. Continuous gas delivery is maintained from two separate sources, allowing for maximum cylinder gas usage from one source before automatically switching to the second source. COSM lowers specialty gas costs by maximizing the consumption of gas from each cylinder.

Product Features:

- Allows changeout of depleted cylinder(s) while maintaining gas flow
- Especially suited for continuous on-stream analyzers
- Compact design reduces footprint
- Maximum inlet pressure of 3,000 psig with 4 delivery options (100, 150, 200 or 250 psig)
- Outlet Regulator for constant or steady line pressure during changeover
- Regulator design integrates positive upward and downward stops which increases cycle life by preventing over stroking of the diaphragm
- Available in Stainless Steel

Specifications:

Functional Performance	
Design	
Burst Pressure	9,000 psig (620 barg)
Proof Pressure	4,500 psig (310 barg)
Flow Capacity	C _v 0.06
Leak Rate: Internal	Bubble Tight
Leak Rate: External	Bubble Tight
Supply Pressure Effect	0.01 psig/100 psig, (0.0007 barg/7 barg)
Approximate Weight	8.4 lbs. (without gauges)

Operating Conditions	
Maximum Inlet	3,000 psig (207 barg)
Outlet	Up to 250 psig
Temperature	-40°F to 150°F (-40°C to 66°C)

Material of Construction	
Regulator Wetted	
Body	316L Stainless Steel (std)
Diaphragm	Hastelloy® C-22
Poppet	Hastelloy® C-276
Poppet Spring	Inconel® X750
Seat	PCTFE
Compression Member	Inconel® 625
Carrier	316L Stainless Steel
Washer Backup	316 Stainless Steel
O-Ring Backup	Fluorocarbon (FKM)
Fittings	316 Stainless Steel
Inlet Screen/Filter	316 Stainless Steel (60µm mesh screen, 10µm Filter)
Regulator Non-Wetted	
Cap	Nickel Plated Brass
Nut	316 Stainless Steel
Knob	ABS Plastic

Hastelloy® is a registered trademark of Haynes International, Inc.
Inconel® is a registered trademark of Special Metals Corporation

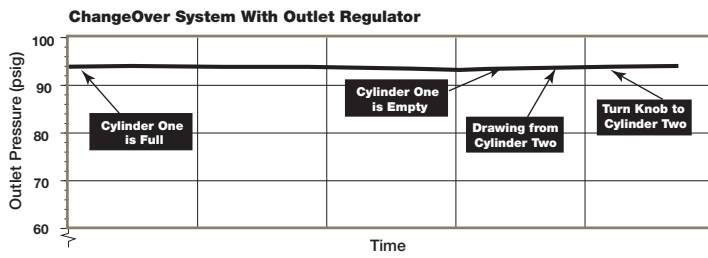


INSTRUMENTATION PRODUCTS DIVISION

ENGINEERING YOUR SUCCESS.

COSM Series

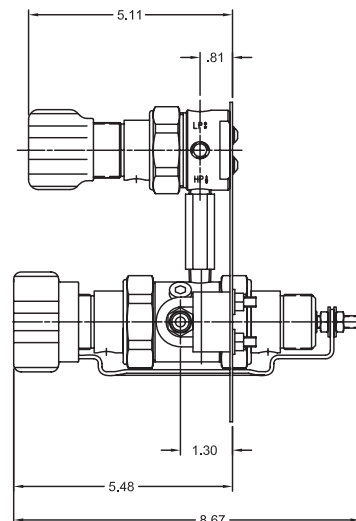
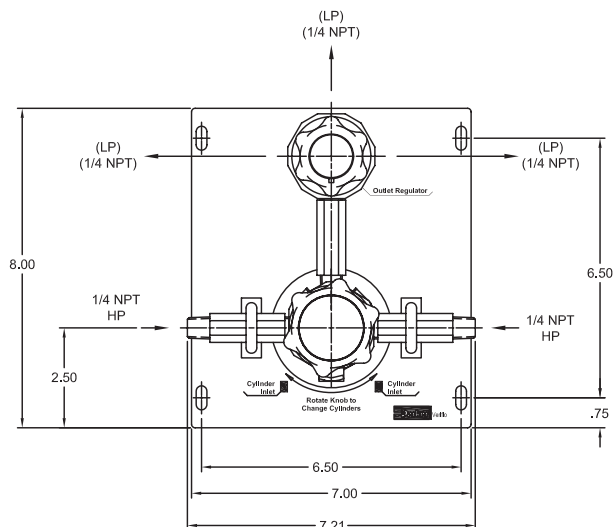
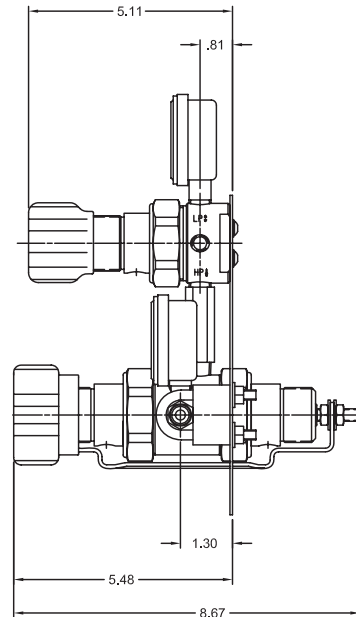
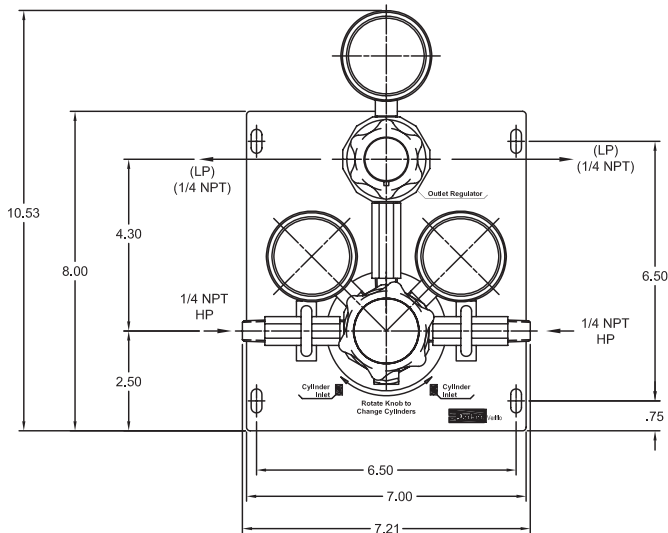
Flow Curve:



ChangeOver System Flow Rates:

Based on 400 psig Cylinder Change	
COSM Model	Maximum Recommended Flow
COSM 100	100 slpm N ₂
COSM 150	70 slpm N ₂
COSM 200	70 slpm N ₂
COSM 250	70 slpm N ₂

Dimensional Drawing:



COSM Series

Ordering Information:

Building a Part Number: *Example: COSM100SORG*

Example Part Number:	COSM	100	S	OR	G
Ordering Parameters/Options:	Series	Pressure Settings	Material	Optional Regulator	Optional Material
Table Reference: (see below)	A	B	C	D	E

A - Series

COSM	Mini ChangeOver System (COSM)
------	-------------------------------

B - Pressure Setting

100	100 psig
150	150 psig
200	200 psig
250	250 psig

C - Material

S	316 Stainless Steel
---	---------------------

D - Outlet Regulator

OR	Outlet Regulator (Standard, no other options available)
----	---

E - Optional Features

G	Gauges (Includes 2 inlet gauges and one outlet gauge)
---	---

Parker Worldwide

North America

USA – Corporate, Cleveland, OH
Tel: +1 256 896 3000

USA – IPD, Huntsville, AL
Tel: +1 256 881 2040
ipdcct@parker.com

USA – IPD, (Autoclave), Erie, PA
Tel: +1 814 860 5700
ipdaect@parker.com

CA – Canada, Grimsby, Ontario
Tel: +1 905-945-2274
ipd_canada@parker.com

South America

AR – Argentina, Buenos Aires
Tel: +54 3327 44 4129
falecom@parker.com

BR – Brazil, Diadema, SP
Tel: +55 11 4360 6700
falecom@parker.com

CL – Chile, Santiago
Tel: +56 (0) 2 2303 9640
falecom@parker.com

MX – Mexico, Toluca
Tel: +52 722 275 4200
contacto@parker.com

Asia Pacific

AU – Australia, Dandenong
Tel: +61 (0)2 9842 5150
customer.service.au@parker.com

CN – China, Shanghai
Tel: +86 21 2899 5000
INGtechnical.china@parker.com

HK – Hong Kong
Tel: +852 2428 8008

IN – India, Mumbai
Tel: +91 22 6513 7081-85

ID – Indonesia, Tangerang
Tel: +62 2977 7900
parker.id@parker.com

JP – Japan, Tokyo
Tel: +(81) 3 6365 4020
infophj@parker.com

KR – South Korea, Seoul
Tel: +82 2 559 0400
parkerkr@parker.com

MY – Malaysia, Selangor
Tel: +603 784 90 800
parkermy@parker.com

SG – Singapore,
Tel: +65 6887 6300
parkerkg@parker.com

TH – Thailand, Bangkok
Tel: +66 2 186 7000
phthailand@parker.com

TW – Taiwan, Taipei
Tel: +886 2 2298 8987
enquiry.taiwan@parker.com

VN – Vietnam, Hochi Minh City
Tel: +848 382 508 56
parker_viet@parker.com

Europe, Middle East, Africa

AE – UAE, Dubai
Tel: +971 4 812 7100
parker.me@parker.com

AT – Austria, Wiener Neustadt
Tel: +43 (0)2622 23501-0
parker.austria@parker.com

AT – Eastern Europe, Wiener Neustadt
Tel: +43 (0)2622 23501 900
parker.easteurope@parker.com

AZ – Azerbaijan, Baku
Tel: +994 50 2233 458
parker.azerbaijan@parker.com

BE/LU – Belgium, Nivelles
Tel: +32 (0)67 280 900
parker.belgium@parker.com

BG – Bulgaria, Sofia
Tel: +359 2 980 1344
parker.bulgaria@parker.com

BY – Belarus, Minsk
Tel: +48 (0)22 573 24 00
parker.belarus@parker.com

CH – Switzerland, Etoy
Tel: +41 (0) 21 821 87 00
parker.switzerland@parker.com

CZ – Czech Republic, Klecany
Tel: +420 284 083 111
parker.czechrepublic@parker.com

DE – Germany, Kaarst
Tel: +49 (0)2131 4016 0
parker.germany@parker.com

DK – Denmark, Ballerup
Tel: +45 43 56 04 00
parker.denmark@parker.com

ES – Spain, Madrid
Tel: +34 902 33 00 01
parker.spain@parker.com

FI – Finland, Vantaa
Tel: +358 (0)20 753 2500
parker.finland@parker.com

FR – France, Contamine s/Arve
Tel: +33 (0)4 50 25 80 25
parker.france@parker.com

GR – Greece, Athens
Tel: +30 210 933 6450
parker.greece@parker.com

HU – Hungary, Budapest
Tel: +36 223 885 470
parker.hungary@parker.com

IE – Ireland, Dublin
Tel: +353 (0)1 466 6370
parker.ireland@parker.com

IT – Italy, Corsico (MI)
Tel: +39 02 45 19 21
parker.italy@parker.com

KZ – Kazakhstan, Almaty
Tel: +7 7273 561 000
parker.easteurope@parker.com

NL – The Netherlands, Oldenzaal
Tel: +31 (0)541 585 000
parker.nl@parker.com

NO – Norway, Stavanger
Tel: +47 66 75 34 00
parker.norway@parker.com

PL – Poland, Warsaw
Tel: +48 (0)22 573 24 00
parker.poland@parker.com

PT – Portugal, Leca da Palmeira
Tel: +351 22 999 7360
parker.portugal@parker.com

RO – Romania, Bucharest
Tel: +40 21 252 1382
parker.romania@parker.com

RU – Russia, Moscow
Tel: +7 495 645-2156
parker.russia@parker.com

SE – Sweden, Spånga
Tel: +46 (0)8 59 79 50 00
parker.sweden@parker.com

SK – Slovakia, Banská Bystrica
Tel: +421 484 162 252
parker.slovakia@parker.com

SL – Slovenia, Novo Mesto
Tel: +386 7 337 6650
parker.slovenia@parker.com

TR – Turkey, Istanbul
Tel: +90 216 4997081
parker.turkey@parker.com

UA – Ukraine, Kiev
Tel: +48 (0)22 573 24 00
parker.ukraine@parker.com

UK – United Kingdom, Warwick
Tel: +44 (0)1926 317 878
parker.uk@parker.com

ZA – South Africa, Kempton Park
Tel: +27 (0)11 961 0700
parker.southafrica@parker.com

WARNING

FAILURE, IMPROPER SELECTION OR IMPROPER USE OF THE PRODUCTS AND/OR SYSTEMS DESCRIBED HEREIN OR RELATED ITEMS CAN CAUSE DEATH, PERSONAL INJURY AND PROPERTY DAMAGE.

This document and other information from Parker Hannifin Corporation, its subsidiaries and authorized distributors provide product and/or system options for further investigation by users having technical expertise. It is important that you analyze all aspects of your application and review the information concerning the product or system in the current product catalog. Due to the variety of operating conditions and applications for these products or systems, the user, through its own analysis and testing, is solely responsible for making the final selection of the products and systems and assuring that all performance, safety and warning requirements of the application are met. The products described herein, including without limitation, product features, specifications, designs, availability and pricing, are subject to change by Parker Hannifin Corporation and its subsidiaries at any time without notice. Proposition 65 Warning: This product contains chemicals known to the state of California to cause cancer or birth defects or other reproductive harm.

Offer of Sale

The items described in this document are available for sale by Parker Hannifin Corporation, its subsidiaries or its authorized distributors. Any sale contract entered by Parker will be governed by the provisions stated in Parker's standard terms and conditions of sale (copy available upon request).

©2017 Parker Hannifin Corporation | Instrumentation Products Division

Literature #: 25000234 Nov 2017



Instrumentation Products Division
1005 A Cleaner Way
Huntsville, AL 35805 • USA
Tel: 256 881 2040
Fax: 256 881 5072

ipd.sales@parker.com
www.parker.com/ipd
Mobile Application: m.parker.com/ipd

COSM SERIES: Mini ChangeOver System



ENGINEERING YOUR SUCCESS.