

Resilient Seat Butterfly Valves



Description

Designed to last longer with minimal downtime, Siemens resilient seat butterfly valves are available in sizes from 2 to 24 inches (DN 50 to 600) built with the highest temperature and chemical resistance available in the market. Available in 2-way and 3-way configurations, 2" through 20" butterfly valves are lug style. 24" valves are double-flanged. All have ANSI 125 rated bodies. 3-way valves can be used for mixing and diverting applications and are available in multiple configurations to match job site needs. These valves are compatible with Siemens A-Series Industrial Electric, and OpenAir® Commercial Electric actuators. A-Series actuators are fail-in-place and available for two-position (On/Off) and Modulating control. OpenAir actuators are available in both spring return and non-spring return variants for two-position (On/Off), Floating and Modulating control. Resilient seat butterfly valves provide bubble-tight shut off (leakage class better than ANSI Class VI) up to 175 PSI (Full Cut) and 50 PSI (Under Cut) requirements.



Features

- High purity, peroxide cured, high temperature EPDM seats to ensure continuous operation at 250°F (121°C)
- Corrosion-resistant, 316 Stainless Steel disc (2" through 12")
- Corrosion-resistant Electroless Nickel Plated Ductile Iron (14" through 24")
- Internal disc-to-stem connection to eliminate leakage through the stem
- Wide variety of direct mount actuators.
- Full 175 PSI and 50 PSI close-off pressure ratings available.

Application

Siemens Resilient Seat butterfly valves are suitable for standard temperature (intermittent 250°F) or high temperature applications (continuous 250°F). Standard temperature assemblies can be field upgraded to high temperature at any time by updating the actuator. There is no need to remove the valve from the piping. These valves can be used for isolation purposes or as modulating valves. Siemens butterfly valves are optimized for use in Chilled Water, Hot Water and Open Loop Cooling Tower applications.

Caution and Warning Notations

WARNING:		Personal injury or loss of life may occur if you do not perform a procedure as specified.
CAUTION:		Equipment damage may occur if you do not perform a procedure as specified.

Product Numbers

See Table 6.

Manual Operators

Valve assemblies with manual operators can be used for standard temperature (Intermittent 250°F) and high temperature (continuous 250°F) applications.

Table 1. 2-Way Valves.

Description	Valve Size in Inches	Valve with Manual Operator	
		Full Cut	Under Cut
Lever	2	B202FM	N/A
	2.5	B225FM	N/A
	3	B203FM	N/A
	4	B204FM	B204UM
	5	B205FM	B205UM
	6	B206FM	B206UM
Gear Operator	8	B208FM	B208UM
	10	B210FM	B210UM
	12	B212FM	B212UM
	14	B214FM	B214UM
	16	B216FM	B216UM
	18	B218FM	B218UM
	20	B220FM	B220UM
	24	B224FM	B224UM

Manual Operators	599-10091	Manual Operator (Lever) for 2", 2.5", and 3" valves
	599-10092	Manual Operator (Lever) for 4" valves
	599-10093	Manual Operator (lever) for 5" and 6" valves
	593-10094	Manual Operator (Gearbox) for 8", 10", and 12" valves
	593-10095	Manual Operator (Gearbox) for 14" and 16" valves
	599-10096	Manual Operator (Gearbox) for 18", 20", and 24" valves

Accessories/Kits	599-10083	Bracket for GCA/GIB 2-way, 2" to 4" valves
	599-10084	Bracket for GCA/GIB 2-way valves, dual actuators
	599-10085	Bracket for GCA/GIB 2-way, 5" under cut valves
	599-10086	Bracket for GCA/GIB 3-way valves
	599-10087	Bracket for GCA/GIB 3-way valves dual 2" and 3" actuators
	599-10089	Bracket for GCA/GIB 3-way, 4" under cut valves
	599-10090	Bracket for GCA/GIB 3-way 5", 6" under cut valves, dual actuators
	599-10097LT	120V Servo NXT Kit A-Series 600 to 6.5K lb-in actuators
	599-10097HT	120V Servo NXT Kit for A-Series 13K and 18K lb-in actuators
	599-10098	24V Servo NXT Kit A-Series 600 to 5K lb-in actuators

Flow Direction

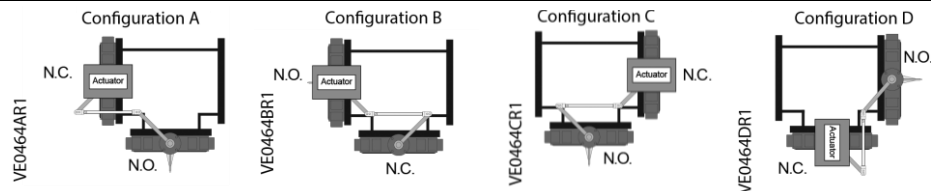


Figure 1. Three-Way Valve Configurations.

Specifications	Body	ASTM A126 Class A Cast Iron	
	Disc for sizes 2"-12"	316 Stainless Steel	
	Material	Disc for sizes 14" and above	Electroless Nickel Plated Ductile Iron
		Seat	High purity, peroxide-cured, high temperature EPDM
	Stem	416 Stainless Steel	
	Stem Bearing	Heavy Duty Acetal	
	Packing	Nitrile Butadiene Rubber (NBR)	
Tee	Ductile Iron (3-Way valves only)		
Operating	Body cold working pressure rating	250 psi (17.2 bar)	
	Media temperature	-20 to 250°F [continuous] (-28 to 121°C)	
	Controlled medium	Hot water, chilled water, condenser water up to 50% Glycol	
	Flow characteristic	Modified equal percentage	
	Flow Coefficients	Table 2.	
	Close-off	2" to 12", 175 PSI, full cut 14" to 24", 150 PSI, full cut 50 PSI dead end service, full cut 50 PSI, all under cut discs	
	Angle of rotation	0° to 90°	
	Leakage	Bubble tight at 175 PSI close-off (better than ANSI class VI)	
	Maximum fluid velocity	30 feet/second (9 m/second)	
	Max recommended differential pressure with flow	29 psi (2 bar)	
Size range	2-inch through 24-inch (DN 50 to 600)		
Body style	Lug (2" through 20") or double flange (24"), 2-way and 3-way, ANSI 125 rated		
Miscellaneous	Dimensions, service envelope, weight	See Tables 5 & 6 and Figures 2 - 5	
	Agency Certification (for actuators)	UL	Meets UL 873
		cUL	Certified to Canadian Standard C22.2 No. 24.93
		CE	European standard
Agency Certification (for valves)	SIL		

NOTE:

These performance specifications are nominal and conform to acceptable industry standards. For application at conditions beyond these specifications, consult your local Siemens office. Siemens, Inc. shall not be liable for damages resulting from misapplication or misuse of its products.

Table 2. Cv at Opening Angles, Two-Way Valves.

Valve Size (Inches)	Disc Opening Angle								
	10°	20°	30°	40°	50°	60°	70°	80°	90°
2	1	7	16	27	43	61	84	114	144
2.5	1.5	11	24	43	67	107	163	223	282
3	2	15	35	61	96	154	267	364	461
4	3	27	62	109	171	274	496	701	841
5	5	43	98	170	268	428	775	1,146	1,376
6	6	56	129	225	354	567	1,025	1,542	1,850
8	12	102	241	421	680	1,081	1,862	2,842	3,316
10	19	162	382	667	1,076	1,710	2,948	4,525	5,430
12	27	353	555	1,005	1,594	2,563	4,393	6,731	8,077
14	34	299	756	1,320	2,149	3,384	5,939	9,974	10,538
16	45	397	1,001	1,749	2,847	4,483	7,867	11,761	13,966
18	58	507	1,281	2,237	3,643	5,736	10,062	14,496	17,214
20	72	632	1,595	2,786	4,536	7,144	12,535	1,812	22,339
24	259	1,028	2,387	4,244	6,962	11,040	18,235	27,186	33,154

Ordering

Order butterfly valves, actuators, manual operators and mounting kits as assemblies or separately.

Time-Out Function

To prolong Commercial actuator life when using Floating Control (3 Point), a controller with a “time-out” function must be used. This function removes the actuator drive signal after the signal has been on for a pre-defined time.

Actuator Product Numbers

Table 3. A-Series Industrial Electric Actuators, 24V.

Product Number	Operating Mode	Voltage 50/60 Hz	Torque		90° Stroke Time*	Current Draw (Amps)	
			(lb-in)	(Nm)		Full Load	Locked Rotor
A126.600	On/Off	24 Vac/dc	600	68	60 sec. AC 40 sec. DC	1.80	--
A126.2K			2,000	226	60 sec.	2.00	--
A126.5K			5,000	565	60 sec.	4.00	--
A166.600	Modulating	24 Vac	600	68	60 sec.	1.80	--
A166.2K			2,000	226	60 sec.	2.00	--
A166.5K			5,000	565	60 sec.	4.00	--

* Operating times shown are with 60 Hz power supply. Actuators with 50 Hz power supply will be 20% slower.

Table 4. A-Series Industrial Electric Actuators, 120V.

Product Number	Operating Mode	Voltage 50/60 Hz	Torque		90° Stroke Time*	Current Draw (Amps)	
			(lb-in)	(Nm)		Full Load	Locked Rotor
A226.600	On/Off	120 Vac	600	68	30 sec.	0.80	1.00
A226.1K			1,200	135	30 sec.	0.78	2.10
A226.2K			2,000	226	30 sec.	1.00	2.10
A226.3K			3,000	339	30 sec.	1.20	3.00
A226.5K			5,000	565	30 sec.	1.60	3.00
A226.6K			6,500	734	30 sec.	2.30	3.10
A226.13K			13,000	1,470	110 sec.	2.30	3.10
A226.18K			18,000	2,034	110 sec.	2.50	3.10
A226.21K			21,300	2,406	60 sec.	6.50	14.00
A226.41K			40,680	4,596	60 sec.	6.50	14.00
A266.600	Modulating	120 Vac	600	68	30 sec.	0.80	1.00
A266.1K			1,200	135	30 sec.	0.78	2.10
A266.2K			2,000	226	30 sec.	1.00	2.10
A266.3K			3,000	339	30 sec.	1.20	3.00
A266.5K			5,000	565	30 sec.	1.60	3.00
A266.6K			6,500	734	30 sec.	2.30	3.10
A266.13K			13,000	1,470	110 sec.	2.30	3.10
A266.18K			18,000	2,034	110 sec.	2.50	3.10
A266.21K			21,300	2,406	60 sec.	6.50	14.00
A266.41K			40,680	4,496	60 sec.	6.50	14.00

* Operating times shown are with 60 Hz power supply. Actuators with 50 Hz power supply will be 20% slower.

NOTE: 13K, 18K, 21K and 41K torque models are available starting July 2020.

Table 5. Commercial Actuators.

Product Number	Operating Mode	Voltage 50/60 Hz	Torque		90° Stroke Time (Seconds)	Current Draw (Amps)	
			(lb-in)	(Nm)		Full Load	Locked Rotor
GCA121.3U	On/Off	24 Vac/dc	160	18	90 (15 with Spring Return)	7 Va	5 Va
GCA126.3U						7 Va	5 Va
GCA161.3U	Modulating					7 Va	5 Va
GCA221.3U	On/Off	120 Vac				8 Va	6 Va
GIB131.3U	Floating	24 Vac	310	35	125	7 Va	7 Va*
GIB161.3U	Modulating					7 Va	7 Va*

***CAUTION:**

It is recommended to switch off the power during two-position control when the actuator has reached the open or closed position to enhance life span and reduce power consumption.

Ordering a Valve/Actuator Assembly

Use the product numbers in the following table to order a valve or a valve and actuator assembly. The valve product number consists of the type, action, valve size, disc type, and valve configuration.

To order an assembly, add a (-) after the valve product number and then choose the application, actuator, voltage, control signal, end switches followed by a separator (.) and the actuator torque.

Table 6. Product Numbers.

Sample:	B	2	02	F	C	-	S	A	1	2	6	.	600
Valve Type: Butterfly													
Action: 2 = 2-Way 3 = 3-Way													
Valve Size: 02=2", 25=2.5", 03=3", 04=4", 05=5", 06=6", 08=8" 10=10", 12=12", 14=14", 16=16", 18=18", 20=20", 24=24"													
Disc Type: F = Full Cut U = Under Cut													
Valve Configuration *: 3-Way - A, B, C, D 2-Way O = Normally Open C = Normally Closed M = Valve assembly with manual operator													
Denotes Assembly													
Application: S = Standard Temp – Intermittent 250°F Operation H = High Temperature – Continuous 250°F Operation Blank = Siemens Commercial Actuator													
Actuator: A = Industrial Actuator GCA = Siemens SR Commercial Actuator GIB = Siemens NSR Commercial Actuator													
Voltage: 1 = 24V 2 = 120V													
Control Signal: 2 = 2-Position 3 = Floating (Commercial Actuators only) 6 = Modulating (0-10V)													
End Switches: 1 = No switches 6 = Switches													
Separator													
Industrial Actuator Torque (lb-in): 600=600, 1K=1200, 2K=2000, 3K=3000, 5K=5000, 6K=6500, 13K=13000, 18K=18000, 21K=21300, 41K=40680, 3U = Shaft adapter with 3-foot cable (Commercial Actuators only)													

* See Error! Reference source not found..

NOTE: 13K, 18K, 21K and 41K torque models are available starting July 2020.

Table 7. Two-Way, Full Cut, 24V with Industrial Actuators Assemblies.

Valve Size (inch)	Valve Part Number	0 to 10V/4 to 20 mA			Two-Position		
		Actuator Part Number	Assembly Part Number		Actuator Part Number	Assembly Part Number	
High Temp	Standard Temp		High Temp	Standard Temp			
2	B202F	A166.600	B202Fx-HA166.600	B202Fx-SA166.600	A126.600	B202Fx-HA126.600	B202Fx-SA126.600
2.5	B225F		B225Fx-HA166.600	B225Fx-SA166.600		B225Fx-HA126.600	B225Fx-SA126.600
3	B203F		B203Fx-HA166.600	B203Fx-SA166.600		B203Fx-HA126.600	B203Fx-SA126.600
4	B204F		B204Fx-HA166.600	B204Fx-SA166.600		B204Fx-HA126.600	B204Fx-SA126.600
5	B205F	A166.600	--	B205Fx-SA166.600	A126.600	--	B205Fx-SA126.600
		A166.2K	B205Fx-HA166.2K	--	A126.2K	B205Fx-HA126.2K	--
6	B206F	A166.2K	B206Fx-HA166.2K	--	A126.2K	B206Fx-HA126.2K	--
		A166.600	--	B206Fx-SA166.600	A126.600	--	B206Fx-SA126.600
8	B208F	A166.2K	B208Fx-HA166.2K	B208Fx-SA166.2K	A126.2K	B208Fx-HA126.2K	B208Fx-SA126.2K
10	B210F	A166.5K	B210Fx-HA166.5K	B210Fx-SA166.5K	A126.5K	B210Fx-HA126.5K	B210Fx-SA126.5K

x = O (Normally Open) or C (Normally Closed)

Table 8. Two-Way, Under Cut, 24V with Industrial Actuators Assemblies.

Valve Size (inch)	Valve Part Number	0 to 10V/4 to 20 mA			2-Position		
		Actuator Part Number	Assembly Part Number		Actuator Part Number	Assembly Part Number	
High Temp	Standard Temp		High Temp	Standard Temp			
4	B204U	A166.600	B204Ux-HA166.600	B204Ux-SA166.600	A126.600	B204Ux-HA126.600	B204Ux-SA126.600
5	B205U		B205Ux-HA166.600	B205Ux-SA166.600		B205Ux-HA126.600	B205Ux-SA126.600
6	B206U		B206Ux-HA166.600	B206Ux-SA166.600		B206Ux-HA126.600	B206Ux-SA126.600
8	B208U	A166.2K	B208Ux-HA166.2K	--	A126.2K	--	B208Ux-SA126.600
		A166.600	--	B208Ux-SA166.600		B208Ux-HA126.2K	--
10	B210U	A166.2K	B210Ux-HA166.2K	B210Ux-SA166.2K	A126.2K	B210Ux-HA126.2K	B210Ux-SA126.2K
12	B212U	A166.5K	B212Ux-HA166.5K	B212Ux-SA166.5K	A126.5K	B212Ux-HA126.5K	B212Ux-SA126.5K
14	B214U	A166.5K	B214Ux-HA166.5K	B214Ux-SA166.5K	A126.5K	B214Ux-HA126.5K	B214Ux-SA126.5K

x = O (Normally Open) or C (Normally Closed)

Table 9. Three-Way, Full Cut Valves with 24V Industrial Actuators Assemblies.

Valve Size (inch)	Valve Part Number	0 to 10V/4 to 20 mA			2-Position		
		Actuator Part Number	Assembly Part Number		Actuator Part Number	Assembly Part Number	
3-Way, Full Cut	High Temp		Standard Temp	High Temp		Standard Temp	
2	B302F	A166.600	B302Fx-HA166.600	B302Fx-SA166.600	A126.600	B302Fx-HA126.600	B302Fx-SA126.600
2.5	B325F		B325Fx-HA166.600	B325Fx-SA166.600		B325Fx-HA126.600	B325Fx-SA126.600
3	B303F		B303Fx-HA166.600	B303Fx-SA166.600		B303Fx-HA126.600	B303Fx-SA126.600
4	B304F		B304Fx-HA166.600	B304Fx-SA166.600		B304Fx-HA126.600	B304Fx-SA126.600
5	B305F		B305Fx-HA166.600	B305Fx-SA166.600		B305Fx-HA126.600	B305Fx-SA126.600
6	B306F		B306Fx-HA166.600	B306Fx-SA166.2K		B306Fx-HA126.600	B306Fx-SA126.2K
8	B308F	A166.2K	B308Fx-HA166.2K	B308Fx-SA166.2K	A126.2K	B308Fx-HA126.2K	B308Fx-SA126.2K
10	B310F	A166.5K	B310Fx-HA166.5K	B310Fx-SA166.5K	A126.5K	B310Fx-HA126.5K	B310Fx-SA126.5K

x= A, B, C or D

Table 10. Three-Way Under Cut Valves with 24V Industrial Actuators Assemblies.

Valve Size (inch)	Valve Part Number	0 to 10V/4 to 20 mA			2-Position		
		Actuator Part Number	Assembly Part Number		Actuator Part Number	Assembly Part Number	
3-Way, Under Cut	High Temp		Standard Temp	High Temp		Standard Temp	
4	B304U	A166.600	B304Ux-HA166.600	B304Ux-SA166.600	A126.600	B304Ux-HA126.600	B304Ux-SA126.600
5	B305U		B305Ux-HA166.600	B305Ux-SA166.600		B305Ux-HA126.600	B305Ux-SA126.600
6	B306U	A166.600	--	B306Ux-SA166.600	A126.2K	B306Ux-HA126.600	B306Ux-SA126.600
		A166.2K	B306Ux-HA166.2K	--		B308Ux-HA126.2K	B308Ux-SA126.2K
8	B308U	A166.2K	B308Ux-HA166.2K	B308Ux-SA166.2K	A126.2K	B308Ux-HA126.2K	B308Ux-SA126.2K
10	B310U	A166.5K	B310Ux-HA166.2K	B310Ux-SA166.2K	A126.5K	B310Ux-HA126.2K	B310Ux-SA126.2K
12	B312U		B312Ux-HA166.5K	B312Ux-SA166.5K		B312Ux-HA126.5K	B312Ux-SA126.5K
14	B314U	A166.5K	B314Ux-HA166.5K	B314Ux-SA166.5K	A126.5K	B314Ux-HA126.5K	B314Ux-SA126.5K

x= A, B, C or D

Table 11. Two-Way Full Cut Valves with 24V Commercial Damper Actuators Assemblies.

Valve Size (inch)	Valve Part Number	Actuator Part Number	Assembly Part Number	
			Normally Open	Normally Closed
2-Way, Full Cut				
2-Position, SR with Switches				
2	B202F	GCA126.3U	B202FO-GCA126.3U	B202FC-GCA126.3U
2.5	B225F		B225FO-GCA126.3U	B225FC-GCA126.3U
3	B203F	GCA126.3U(-D)	B203FO-GCA126.3U	B203FC-GCA126.3U
0 to 10Vdc, NSR Without Switches				
2	B202F	GIB161.3U	B202FO-GIB161.3U	B202FC-GIB161.3U
2.5	B225F		B225FO-GIB161.3U	B225FC-GIB161.3U
3	B203F		B203FO-GIB161.3U	B203FC-GIB161.3U
4	B204F	GIB161.3U(-D)	B204FO-GIB161.3U	B204FC-GIB161.3U
5	B205F		B205FO-GIB161.3U	B205FC-GIB161.3U
6	B206F		B206FO-GIB161.3U	B206FC-GIB161.3U
Floating, NSR Without Switches				
2	B202F	GIB131.3U	B202FO-GIB131.3U	B202FC-GIB131.3U
2.5	B225F		B225FO-GIB131.3U	B225FC-GIB131.3U
3	B203F		B203FO-GIB131.3U	B203FC-GIB131.3U
4	B204F	GIB131.3U(-D)	B204FO-GIB131.3U	B204FC-GIB131.3U
5	B205F		B205FO-GIB131.3U	B205FC-GIB131.3U
6	B206F		B206FO-GIB131.3U	B206FC-GIB131.3U
0 to 10 Vdc SR Without Switches				
2	B202F	GCA161.3U	B202FO-GCA161.3U	B202FC-GCA161.3U
2.5	B225F		B225FO-GCA161.3U	B225FC-GCA161.3U
3	B203F	GCA126.3U(-D)	B203FO-GCA161.3U	B203FC-GCA161.3U
2-Position, SR Without Switches				
2	B202F	GCA121.3U	B202FO-GCA121.3U	B202FC-GCA121.3U
2.5	B225F		B225FO-GCA121.3U	B225FC-GCA121.3U
3	B203F		B203FOSGCA121.3U	B203FC-GCA121.3U

Table 12. Two-Way Under Cut Valves, with 24V Commercial Damper Actuators Assemblies.

Valve Size (inch)	Valve Part Number	Actuator Part Number	Assembly Part Number	
			Normally Open	Normally Closed
2-Way, Under Cut				
2-Position, SR with Switches				
4	B204U	GCA126.3U(-D)	B204UO-GCA126.3U	B204UC-GCA126.3U
0 to 10Vdc, NSR Without Switches				
4	B204U	GIB161.3U	B204UO-GIB161.3U	B204UC-GIB161.3U
5	B205U	GIB161.3U(-D)	B205UO-GIB161.3U	B205UC-GIB161.3U
6	B206U		B206UO-GIB161.3U	B206UC-GIB161.3U
8	B208U		B208UO-GIB161.3U	B208UC-GIB161.3U
Floating, NSR Without Switches				
4	B204U	GIB131.3U	B204UO-GIB131.3U	B204UC-GIB131.3U
5	B205U	GIB131.3U(-D)	B205UO-GIB131.3U	B205UC-GIB131.3U
6	B206U		B206UO-GIB131.3U	B206UC-GIB131.3U
8	B208U		B208UO-GIB131.3U	B208UC-GIB131.3U
0 to 10 Vdc SR Without Switches				
4	B204U	GCA161.3U(-D)	B204UO-GCA161.3U	B204UCSGCA161.3U
2-Position, SR Without Switches				
4	B204U	GCA121.3U(-D)	B203UO-GCA121.3U	B203UC-GCA121.3U

Table 13. Three-Way Full Cut Valves with 24V Commercial Damper Actuators Assemblies.

Valve Size (inch)	Valve Part Number	Actuator Part Number	Assembly Part Number	
			3-Way, Full Cut	
2-Position, SR with Switches				
2	B302F	GCA126.3U	B302Fx-GCA126.3U	
2.5	B325F	GCA126.3U(-D)	B325Fx-GCA126.3U	
3	B303F		B303Fx-GCA126.3U	
0 to 10Vdc, NSR Without Switches				
2	B302F	GIB161.3U	B302Fx-GIB161.3U	
2.5	B325F		B325Fx-GIB161.3U	
3	B303F		B303Fx-GIB161.3U	
4	B304F	GIB161.3U(-D)	B304Fx-GIB161.3U	
5	B305F		B305Fx-GIB161.3U	
Floating, NSR Without Switches				
2	B302F	GIB131.3U(-D)	B302Fx-GIB131.3U	
2.5	B325F		B325Fx-GIB131.3U	
3	B303F		B303Fx-GIB131.3U	
4	B304F	GIB131.3U(-D)	B304Fx-GIB131.3U	
5	B305F		B305Fx-GIB131.3U	
0 to 10 Vdc SR Without Switches				
2	B302F	GCA161.3U	B302Fx-GCA161.3U	
2.5	B325F	GCA161.3U(-D)	B325Fx-GCA161.3U	
3	B303F		B303Fx-GCA161.3U	

x= A, B, C or D (See **Error! Reference source not found..**)

Table 14. Three-Way Under Cut Valves with 24V Commercial Damper Actuators Assemblies.

Valve Size (inch)	Valve Part Number	Actuator Part Number	Assembly Part Number
3-Way, Under Cut			
2-Position, SR with Switches			
4	B304U	GCA126.3U	B304Ux-GCA126.3U
0 to 10 Vdc, NSR Without Switches			
4	B304U	GIB161.3U	B304Ux-GIB161.3U
5	B305U	GIB161.3U-D	B305Ux-GIB161.3U
6	B306U		B306Ux-GIB161.3U
Floating, NSR Without Switches			
4	B304U	GIB131.3U	B304Ux-GIB131.3U
5	B305U	GIB131.3U-D	B305Ux-GIB131.3U
6	B306U		B306Ux-GIB131.3U
0 to 10 Vdc SR Without Switches			
4	B304U	GCA161.3U	B304Ux-GCA161.3U
2-Position, SR Without Switches			
4	B304U	GCA121.3U(-D)	B304Ux-GCA121.3U

Table 15. Two-Way Full Cut Valves with 120V Industrial Actuators Assemblies.

Valve Size (inch)	Valve Part Number	0 to 10V/4 to 20 mA			2-Position		
		Actuator Part Number	Assembly Part Number		Actuator Part Number	Assembly Part Number	
	High Temp		Standard Temp			High Temp	Standard Temp
2-Way, Full Cut							
2	B202F	A266.600	B202Fx-HA266.600	B202Fx-SA266.600	A266.600	B202Fx-HA226.600	B202Fx-SA226.600
2.5	B225F		B225Fx-HA266.600	B225Fx-SA266.600		B225Fx-HA226.600	B225Fx-SA226.600
3	B203F		B203Fx-HA266.600	B203Fx-SA266.600		B203Fx-HA226.600	B203Fx-SA226.600
4	B204F		B204Fx-HA266.600	B204Fx-SA266.600		B204Fx-HA226.600	B204Fx-SA226.600
5	B205F	A266.600	---	B205Fx-SA266.600	A266.600	--	B205Fx-SA226.600
	B205F	A266.1K	B205Fx-HA266.1K	--	A226.1K	B205Fx-HA226.1K	--
6	B206F	A266.1K	B206Fx-HA266.1K	--	A226.600	--	B206Fx-SA226.600
	B206F	A266.600	--	B206Fx-SA266.600	A226.1K	B206Fx-HA226.1K	--
8	B208F	A266.2K	B208Fx-HA--266.2K	B208Fx-SA266.2K	A226.2K	B208Fx-HA226.2K	B208Fx-SA226.2K
10	B210F	A266.3K	--	B210Fx-SA266.3K	A226.3K	--	B210Fx-SA226.3K
	B210F	A266.5K	B210Fx-HA266.5K	--	A226.5K	B210Fx-HA226.5K	--
12	B212F	A266.5K	--	B212Fx-SA266.5K	A226.5K	--	B212Fx-SA226.5K
		A266.6K	B212Fx-HA266.6K	--	A226.6K	B212Fx-HA226.6K	--
14	B214F	A266.6K	--	B214Fx-SA266.6K	A226.6K	--	B214Fx-SA226.6K
		A266.13K	B214Fx-HA266.13K	--	A226.13K	B214Fx-HA226.13K	--
16	B216F	A266.13K	B216Fx-HA266.13K	B216Fx-SA266.13K	A226.13K	B216Fx-HA226.13K	B216Fx-SA226.13K
18	B218F	A266.13K	--	B218Fx-SA266.13K	A226.13K	--	B218Fx-SA226.13K
		A266.18K	B218Fx-HA266.18K	--	A226.18K	B218Fx-HA226.18K	--
20	B220F	A266.18K	--	B220Fx-SA266.18K	A226.18K	--	B220Fx-SA226.18K
		A266.21K	B220Fx-HA266.21K	--	A226.21K	B220Fx-HA226.21K	--
24	B224F	A266.21K	--	B224Fx-SA266.21K	A226.21K	--	B224Fx-SA226.21K
		A266.41K	B224Fx-HA266.41K	--	A226.41K	B224Fx-HA226.41K	--

x = O (Normally Open) or C (Normally Closed)

Table 16. Two-Way Under Cut Valves with 120V Industrial Actuators Assemblies.

Valve Size (inch)	Valve Part Number	0 to10V/4 to 20 mA			2-Position		
		Actuator Part Number	Assembly Part Number		Actuator Part Number	Assembly Part Number	
2-Way, Under Cut	High Temp		Standard Temp	High Temp		Standard Temp	
4	B204U	A266.600	B204U-HA266.600	B204U-SA266.600	A226.600	B204U-HA226.600	B204U-SA226.600
5	B205U		B205U-HA266.600	B205U-SA266.600		B205U-HA226.600	B205U-SA226.600
6	B206U		B206U-HA266.600	B206U-SA266.600		B206U-HA226.600	B206U-SA226.600
8	B208U	A266.600	--	B208U-SA266.600	A226.1K	B208U-HA226.1K	--
		A266.1K	B208U-HA266.1K	--	A226.600	--	B208U-SA226.600
10	B210U	A266.1K	--	B210U-SA266.1K	A226.1K	--	B210U-SA226.1K
		A266.2K	B210U-HA266.2K	--	A226.2K	B210U-HA226.2K	--
12	B212U	A266.3K	B212U-HA266.3K	B212U-SA266.3K	A226.3K	B212U-HA226.3K	B212U-SA226.3K
14	B214U	A266.5K	B214U-HA266.5K	B214U-SA266.5K	A226.5K	B214U-HA226.5K	B214U-SA226.5K
16	B216U	A266.6K	--	B216U-SA266.6K	A226.6K	--	B216U-SA226.6K
		A266.13K	B216U-HA266.13K	--	A226.13K	B216U-HA226.13K	--
18	B218U	A266.13K	B218U-HA266.13K	B218U-SA266.13K	A226.13K	B218U-HA226.13K	B218U-SA226.13K
20	B220U	A266.13K	B220U-HA266.13K	B220U-SA266.13K	A226.13K	B220U-HA226.13K	B220U-SA226.13K
24	B224U	A266.18K	B224U-HA266.18K	B224U-SA266.18K	A226.18K	B224U-HA226.18K	B224U-SA226.18K

Table 17. Three-Way Full Cut Valves with 120V Industrial Actuators Assemblies.

Valve Size (inch)	Valve Part Number	0 to10V/4 to 20 mA			2-Position		
		Actuator Part Number	Assembly Part Number		Actuator Part Number	Assembly Part Number	
3-Way, Full Cut	High Temp		Standard Temp	High Temp		Standard Temp	
2	B302F	A266.600	B302Fx-HA266.600	B302Fx-SA266.600	A226.600	B302Fx-HA226.600	B302Fx-SA226.600
2.5	B325F		B325Fx-HA266.600	B325Fx-SA266.600		B325Fx-HA226.600	B325Fx-SA226.600
3	B303F		B303Fx-HA266.600	B303Fx-SA266.600		B303Fx-HA226.600	B303Fx-SA226.600
4	B304F		B304Fx-HA266.600	B304Fx-SA266.600		B304Fx-HA226.600	B304Fx-SA226.600
5	B305F	--	B305Fx-SA266.600	A226.600	--	B305Fx-SA226.600	
	B305F	A266.1K	B305Hx-HA266.1K	--	A226.1K	B305Fx-HA226.1K	--
6	B306F	A266.2K	B306Fx-HA266.2K	B306Fx-SA266.2K	A226.1K	--	B306Fx-SA226.1K
					A226.2K	B306Fx-HA226.2K	
8	B308F	A266.2K	B308Fx-HA266.2K	B308Fx-SA266.2K	A226.2K	B308Fx-HA226.2K	B308Fx-SA226.2K
10	B310F	A266.5K	B310Fx-HA266.5K	B310Fx-SA266.5K	A226.5K	B310Fx-HA226.5K	B310Fx-SA226.5K
12	B312F	A266.6K	--	B312Fx-SA266.6K	A226.6K	--	B312Fx-SA226.6K
		A266.13K	B312Fx-HA266.13K	--	A226.13K	B312Fx-HA226.13K	--
14	B314F	A266.13K	B314Fx-HA266.13K	B314Fx-SA266.13K	A226.13K	B314Fx-HA226.13K	B314Fx-SA226.13K
16	B316F	A266.13K	B316Fx-HA266.13K	B316Fx-SA266.13K	A226.13K	B316Fx-HA226.13K	B316Fx-SA226.13K
18	B318F	A266.18K	B318Fx-HA266.18K	B318Fx-SA266.18K	A226.18K	B318Fx-HA226.18K	B318Fx-SA226.18K
20	B320F	A266.41K	B320Fx-HA266.41K	B320Fx-SA266.41K	A226.21K	--	B320Fx-SA226.21K
					A226.41K	B320Fx-HA226.41K	--
24	B324F	A266.41K	B324Fx-HA266.41K	B324Fx-SA266.41K	A226.41K	B324Fx-HA226.41K	B324Fx-SA226.41K

x= A, B, C or D (See **Error! Reference source not found.**)

Table 18. Three-Way Under Cut Valves with 120V Industrial Actuators Assemblies.

Valve Size (inch)	Valve Part Number	0 to10V/4 to 20 mA			2-Position		
		Actuator Part Number	Assembly Part Number		Actuator Part Number	Assembly Part Number	
3-Way, Under Cut	High Temp		Standard Temp	High Temp		Standard Temp	
4	B304U	A266.600	B304Ux-HA266.600	B304Ux-SA266.600	A226.600	B304Ux-HA226.600	B304Ux-SA226.600
5	B305U		B305Ux-HA266.600	B305Ux-SA266.600		B305Ux-HA226.600	B305Ux-SA226.600
6	B306U	A266.600	--	B306Ux-SA266.600	A226.1K	--	B306Ux-SA226.600
		A266.1K	B306Ux-HA266.1K	--		B306Ux-HA226.1K	--
8	B308U	A266.1K	B308Ux-HA266.1K	B308Ux-SA266.1K		B308Ux-HA226.1K	B308Ux-SA226.1K
10	B310U	A266.2K	B310Ux-HA266.2K	B310Ux-SA266.2K	A226.2K	B310Ux-HA226.2K	B310Ux-SA226.2K
12	B312U	A266.5K	B312Ux-HA266.5K	B312Ux-SA266.5K	A226.3K	--	B312Ux-SA226.3K
					A226.5K	B312Ux-HA226.5K	--
14	B314U	A266.5K	B314Ux-HA266.5K	B314Ux-SA266.5K	A226.5K	B314Ux-HA226.5K	B314Ux-SA226.5K
16	B316U	A266.13K	B316Ux-HA266.13K	B316Ux-SA266.13K	A226.13K	B316Ux-HA226.13K	B316Ux-SA226.13K
18	B318U		B318Ux-HA266.13K	B318Ux-SA266.13K		B318Ux-HA226.13K	B318Ux-SA226.13K
20	B320U		B320Ux-HA266.13K	B320Ux-SA266.13K		B320Ux-HA226.13K	B320Ux-SA226.13K
24	B324U		B324Ux-HA266.18K	B324Ux-SA266.18K		B324Ux-HA226.18K	B324Ux-SA226.18K

x= A, B, C or D (See Error! Reference source not found..)

Table 19. Standard Temperature Valves with 120V Commercial Damper Actuators Assemblies.

Valve Size (inch)	Valve Part Number	Actuator Part Number	Assembly Part Number	
			Normally Open	Normally Closed
2-Position, SR without Switches				
2-Way, Full Cut				
2	B202F	GCA221.3U	B202FO-GCA221.3U	B202FC-GCA221.3U
2.5	B225F	GCA221.3U	B225FO-GCA221.3U	B225FC-GCA221.3U
3	B203F	GCA221.3U(-D)	B203FO-GCA221.3U	B203FC-GCA221.3U
Under	B203U	GCA221.3U(-D)	B203UO-GCA221.3U	B203UC-GCA221.3U
3-Way Full Cut				
2	B302F	GCA221.3U	B302Fx-GCA221.3U	--
2.5	B325F	GCA221.3U(-D)	B325Fx-GCA221.3U	--
3	B303F		B303Fx-GCA221.3U	--
3-Way Under Cut				
4	B304U	GCA221.3U(-D)	B304Ux-GCA221.3U	--

Mounting and Installation

All A-Series industrial actuators are suitable for direct mounting on Siemens resilient seat butterfly valves. Commercial actuators require a mounting bracket (See *Accessories/Kits*).

Table 20. Bolt Tightening Sequence and Torque Chart.



Valve Size in Inches	Bolt Size (Threads UNC-2B)	Maximum Bolt Torque Requirement in ft-lbs (Nm)
2,3,4	5/8"-11	35 (4)
5,6,8	3/4"-10	60 (7)
10,12	7/8"-9	75 to 110 (8 to 12)
14,16	1"-8	120 (14)
18	1-1/8"-7	130 (15)
20	1-1/8"-7	130 (15)
24	1-1/4"-7	150 to 155 (17 to 18)

Installation Instructions

1. Lower the valve into the open pipe work with the disc in the 10° open position. Valves with non-spring actuators are shipped in this position.

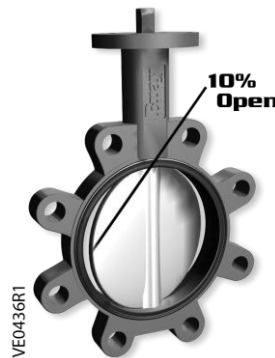


Figure 2. Disc in 10° Open Position.

2. Once the valve is placed in the pipework, turn the disc to the full-open position. Gradually remove the flange spreaders.
3. Center the valve body to the flanges and tighten the bolts hand-tight. Slowly close the valve clockwise to check for adequate disc clearance.

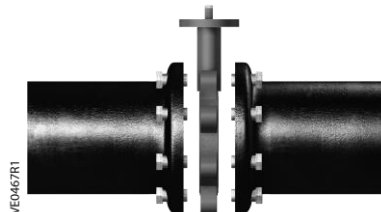


Figure 3. Centered Valve Body.

4. Return the disc to the full-open position and cross tighten all bolts to the proper torque specifications (See Table 20).

NOTE: Do not install with the disc in the fully closed position. This will cause seat distortion. When flange bolts are tightened, the rubber will close around the disc edge creating excessive breakaway torque in the initial operation. The valve should always be installed with the disc open at 10°.

Installation is now complete.



CAUTION:

DO NOT lower the valve into the pipe with the pipe work spread insufficiently or with the disc in the fully open position. This can lead to disc edge damage and can impact the flange.



CAUTION:

DO NOT use flange gaskets. The butterfly valve seat has a molded-in O-ring that creates a positive seal against standard ANSI flange faces.



CAUTION:

Incorrect pipe alignment will cause interference between the disc edge and the flange face creating leakage, excessive torque and damage to the disc and seat.

Operation

The seat in a resilient seat butterfly valve has molded O-rings on its flange face. No gaskets are required as these O-rings serve the function of a gasket. The flange face and molded O-rings of the seat extend beyond the body face-to-face to ensure sealing at the flange faces. The seat material, which extends past the face is compressed in installation and flows toward the center of the valve seat I.D.

The elastomer seat acts as a liquid, and the displaced elastomer moves toward the point of least resistance. The seat I.D. of all resilient seat butterfly valves is smaller than the disc O.D. This difference, the disc-seat interference, plus the increased interference due to the elastomer movement toward the seat center after installation, has been engineered to be the basis for pressure rating capability and the related seating/unseating torques.

Service



WARNING:

No valve maintenance, including removal of commercial or industrial actuators should be performed until the piping system is completely depressurized.

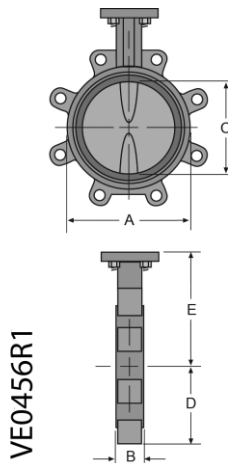
Dimensions – 2-Way, OpenAir Commercial Electric Actuators

Valve Body

Table 21. 2-Way, 2" to 8", Resilient Seat Butterfly Valves.

Model Number	Size		CVS		A	B	C	D	E	Lug Bolting Data			Weight ¹	
	In.	mm	90°	60°						BC	Holes	Threads	lbs.	kg
B202	2	50	144	61	3.69	1.62	2.00	2.30	5.50	4.75	4	5/8-11	7.0	3.12
B225	2.5	65	282	107	4.19	1.75	2.50	2.57	6.00	5.50	4	5/8-11	8.0	3.63
B203	3	80	461	154	4.88	1.75	3.00	2.81	6.25	6.00	4	5/8-11	9.0	4.08
B204	4	100	841	274	6.06	2.00	4.00	4.09	7.00	7.50	8	5/8-11	15.0	6.80
B205	5	125	1376	428	7.06	2.12	5.00	4.61	7.50	8.50	8	3/4-10	20.0	9.07
B206	6	150	1850	567	8.12	2.12	5.75	5.06	8.00	9.50	8	3/4-10	23.0	10.43
B208	8	200	3316	1081	10.50	2.50	7.75	6.05	9.56	11.75	8	3/4-10	42.0	19.05

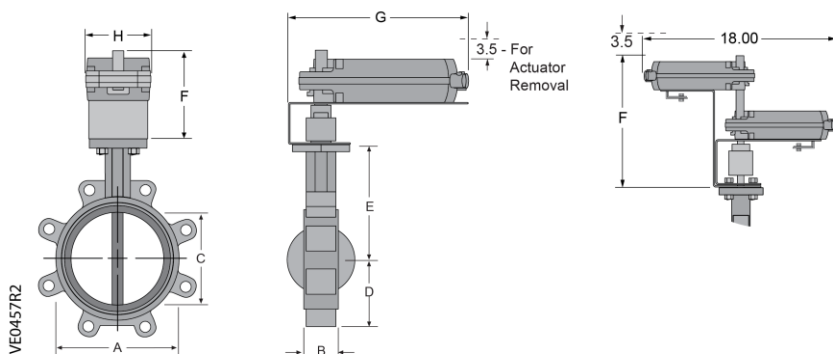
1- Weights are for valve bodies only.



Commercial Actuators

Model Number	F	G	H	Weight ¹	
				lbs	kg
GIB	7.43	10.96	3.95	4.4	2.0
GCA	7.43	10.96	3.95	4.9	2.2
Dual Actuator	11.75	18.00	4.00	12.8	5.8

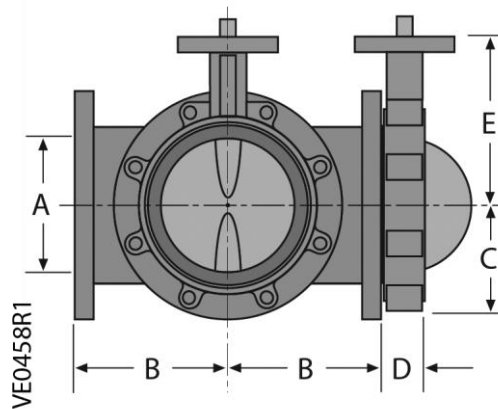
Largest actuator dimension shown



Dimensions (Continued) – 3-Way, OpenAir Commercial Electric Actuators Valve Body

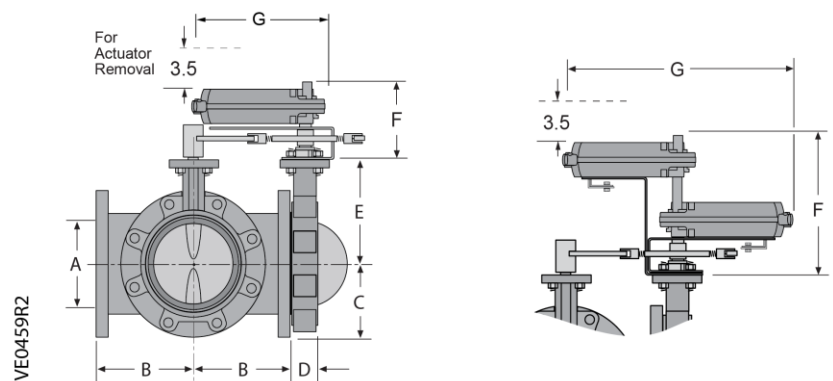
Model Number	Size		Cv		A	B	C	D	E	Lug Bolting Data		
	In.	mm	90°	60°						BC	Holes	Threads
B302	2	50	144	61	2.00	4.50	2.30	1.62	5.50	4.75	4	5/8-11
B325	2.5	65	282	107	2.50	5.00	2.57	1.80	6.00	5.50	4	5/8-11
B303	3	80	461	154	3.00	5.50	2.81	1.80	6.25	6.00	4	5/8-11
B304	4	100	841	274	4.00	6.50	4.09	2.00	7.00	7.50	8	5/8-11
B305	5	125	1376	428	5.00	7.50	4.61	2.12	7.50	8.50	8	3/4-10
B306	6	150	1850	567	6.00	8.00	5.06	2.12	8.00	9.50	8	3/4-10

Size		Weight	
Inches	mm	lbs	kg
2	50	19	8.6
2.5	65	27	12.2
3	80	39	17.7
4	100	62	28.1
5	125	79	35.8
6	150	96	43.5
8	200	155	70.3
10	250	270	122.5
12	300	380	172.4
14	350	435	197.3
16	400	550	249.5
18	450	665	301.6
20	500	855	387.8
24	609	1330	603.3



Commercial Actuators

Model Number	F	G	Weight ¹	
			lbs	kg
GIB	7.43	10.96	4.4	2.0
GCA	7.43	10.96	4.9	2.2
Dual Actuator	11.75	18.00	12.8	5.8
Largest actuator dimension shown				



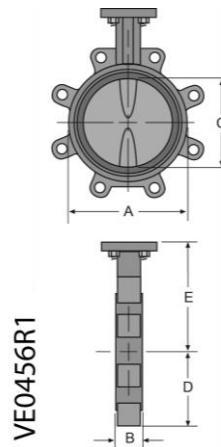
Dimensions (Continued) – 2-Way, Industrial Actuators

Valve Body

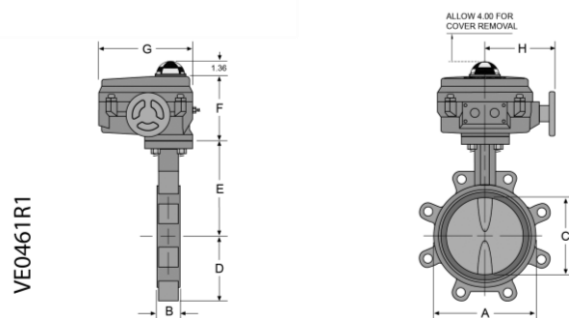
Table 23. 2-Way, 2" to 24", Resilient Seat Butterfly Valves.

Model Number	Size		Cv		A	B	C	D	E	Lug Bolting Data			Weight ¹	
	In.	mm	90°	60°						BC	Holes	Threads	lbs	kg
B202	2	50	144	61	3.69	1.62	2.00	2.30	5.50	4.75	4	5/8-11	7.0	3.12
B225	2.5	65	282	107	4.19	1.75	2.50	2.57	6.00	5.50	4	5/8-11	8.0	3.63
B203	3	80	461	154	4.88	1.75	3.00	2.81	6.25	6.00	4	5/8-11	9.0	4.08
B204	4	100	841	274	6.06	2.00	4.00	4.09	7.00	7.50	8	5/8-11	15.0	6.80
B205	5	125	1376	428	7.06	2.12	5.00	4.61	7.50	8.50	8	3/4-10	20.0	9.07
B206	6	150	1850	567	8.12	2.12	5.75	5.06	8.00	9.50	8	3/4-10	23.0	10.43
B208	8	200	3316	1081	10.50	2.50	7.75	6.05	9.56	11.75	8	3/4-10	42.0	19.05
B210	10	250	5430	1710	12.75	2.50	9.75	7.69	10.75	14.25	12	7/8-9	66.0	29.94
B212	12	300	8077	2563	14.88	3.00	11.75	9.02	12.25	17.00	12	7/8-9	88.0	39.92
B214	14	350	10538	3384	17.05	3.00	13.25	9.93	13.62	18.75	12	1-8	114.0	51.71
B216	16	400	13966	4483	19.21	4.00	15.25	11.30	14.75	21.25	16	1-8	166.0	75.30
B218	18	450	17214	5736	21.12	4.25	17.25	12.16	16.00	22.75	16	1-1/8 – 7	226.0	102.51
B220	20	500	22339	7144	23.25	5.00	19.25	14.00	17.25	25.00	20	1-1/8 – 7	305.0	138.35
B224	24	600	33154	11040	33.00	5.94	23.28	17.56	19.50	29.50	4	1-1/4 – 7	500.0	226.80

1- Weights are for valve bodies only.



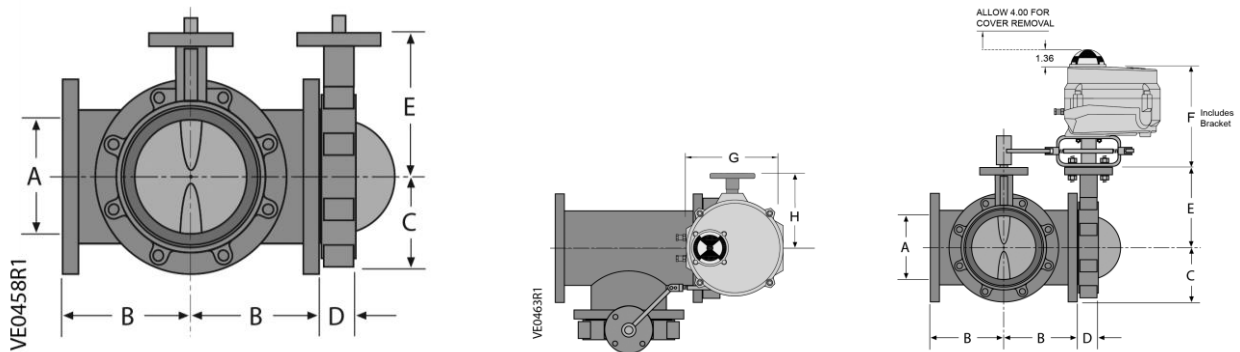
A-Series Actuators				
Model Number	F	G	H	Weight (lbs)
Axxx.600	5.6	7.5	5.8	13
Axxx.1K/Axxx.2K	6.6	10.1	7.8	28
Axxx.3K/Axxx.5K/Axxx.6K	7.2	12.1	9.5	48
Axxx.13K/Axxx.18K	12.1	18.8	9.5	118
Axxx.21K	12.3	32.1	28.9	195
Axxx.41K	12.3	32.1	28.9	195



Dimensions (Continued) – 3-Way, Industrial Actuators

Valve Body

Table 24. 3-Way, 2" to 24", Resilient Seat Butterfly Valves.												
Model Number	Size		Cv		A	B	C	D	E	Lug Bolting Data		
	In.	mm	90°	60°						BC	Holes	Threads
B302	2	50	144	61	2.00	4.50	2.30	1.62	5.50	4.75	4	5/8-11
B325	2.5	65	282	107	2.50	5.00	2.57	1.80	6.00	5.50	4	5/8-11
B303	3	80	461	154	3.00	5.50	2.81	1.80	6.25	6.00	4	5/8-11
B304	4	100	841	274	4.00	6.50	4.09	2.00	7.00	7.50	8	5/8-11
B305	5	125	1376	428	5.00	7.50	4.61	2.12	7.50	8.50	8	3/4-10
B306	6	150	1850	567	6.00	8.00	5.06	2.12	8.00	9.50	8	3/4-10
B308	8	200	3316	1081	8.00	9.00	6.05	2.50	9.50	11.75	8	3/4-10
B310	10	250	5430	1710	10.00	11.00	7.69	2.50	10.75	14.25	12	7/8-9
B312	12	300	8077	2563	12.00	12.00	9.02	3.00	12.25	17.00	12	7/8-9
B314	14	350	10538	3384	14.00	14.00	9.93	3.00	13.62	18.75	12	1-8
B316	16	400	13966	4483	16.00	15.00	11.30	4.00	14.75	21.25	15	1-8
B318	18	450	17214	5736	18.00	16.50	12.16	4.26	16.00	22.75	16	1-1/8 – 7
B320	20	500	22339	7144	20.00	18.00	14.00	5.00	17.25	25.00	20	1-1/8 – 7
B324	24	610	3315	11044	24.00	22.00	16.00	5.94	19.50	29.50	20	1-1/4 – 7



A-Series Actuators					
Model Number	F	G	H	Weight (lbs)	
Axxx.600	8.6	7.5	5.8	12	
Axxx.1K/Axxx.2K	10.73	10.1	7.8	28	
Axxx.3K	11.33	12.10	3.50	48	
Axxx.5K	13.2	12.10	9.50	48	
Axxx.6K	13.2	12.10	9.50	118	
Axxx.13K/Axxx.18K	20.5	12.10	9.50	118	
Axxx.21K	22.3	32.1	28.9	195	
Axxx.41K	22.3	32.1	28.9	195	

Information in this document is based on specifications believed correct at the time of publication. The right is reserved to make changes as design improvements are introduced. Product or company names mentioned herein may be the trademarks of their respective owners. © 2020 Siemens Industry, Inc.